

30%

Take advantage **NOW** of  
the **30% TAX DEDUCTION**  
on all machine purchases

# CS 350 CARDBOARD SAW

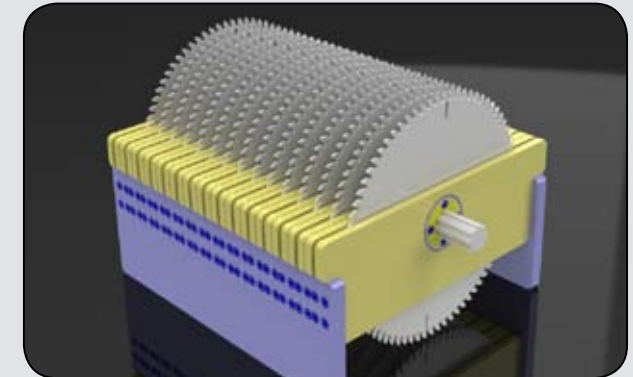
## Multi-Blade Cardboard Cutting



**CS 350** - Semi-automatic multi-blade saw for cutting large cardboard sheets.

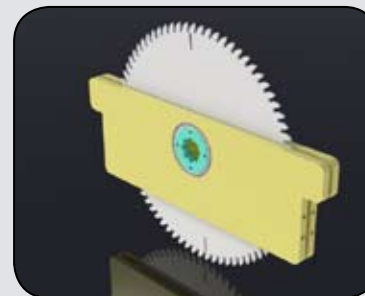
Innovative flexible-assembly blade-stack design with floating driveshaft and individual blade assemblies, allowing for a quick and hassle-free changeover of off-cut widths.

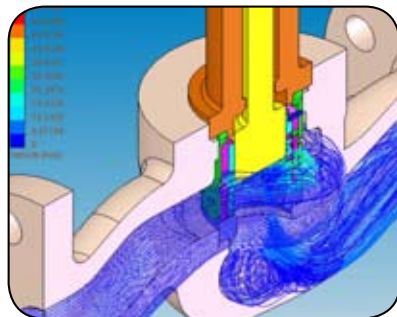
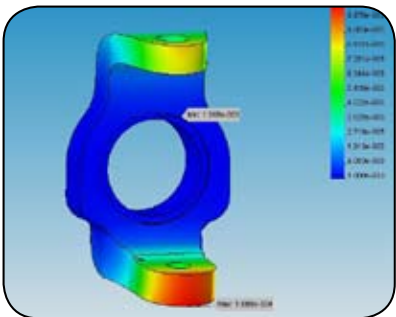
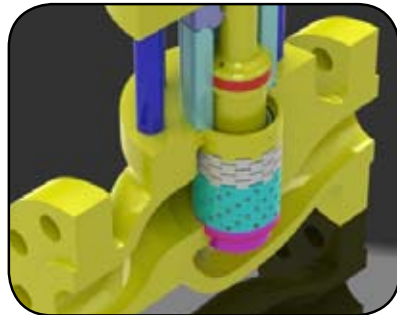
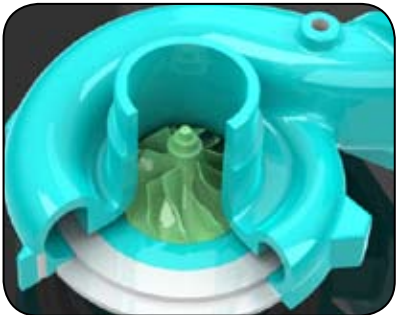
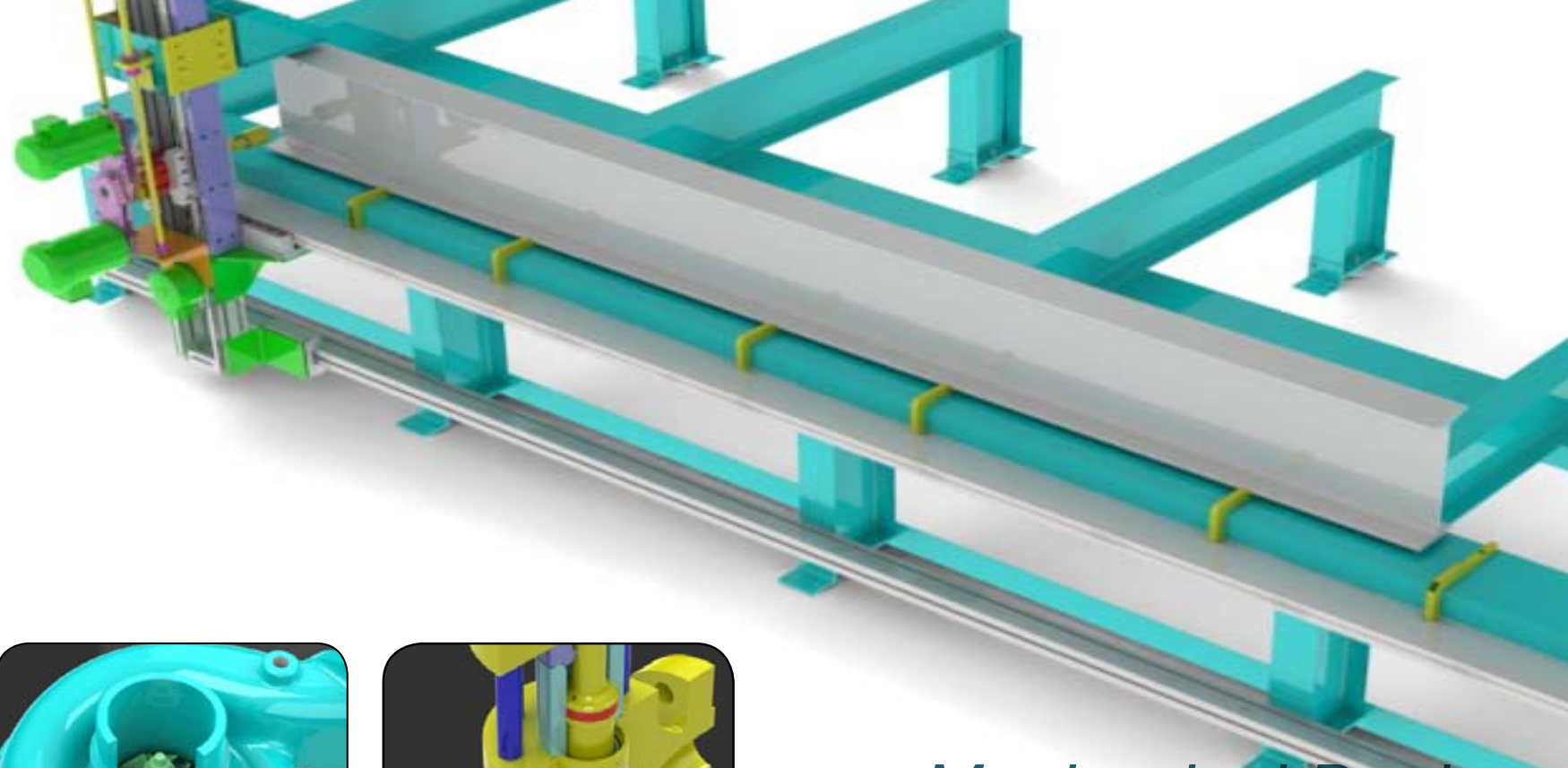
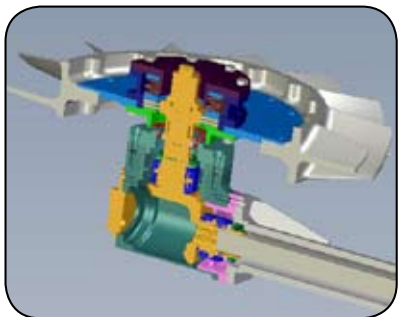
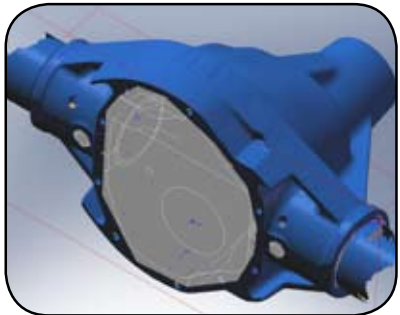
Variable-speed automatic belt feed with integrated extraction system, and feed sensor activated cut and idle cycles. Exceptionally quick cardboard processing cycle with excellent quality cut.



### Features

- Cutting capacity: 900 mm wide, 30 – 100 mm thick cardboard blocks
- 24-blade stack assembly with variable off-cut widths
- Cardboard-cutting specific Kanefusa blades
- Automatic conveyor system with variable feed speed
- 18.5 KW main motor drive with sensor activated idle and cut regimes
- Integrated swarf extraction system





*Mechanical Design  
Development  
Implementation  
Innovation*



18 Jeffrey Street Dandenong VIC 3175 AUSTRALIA

T +61 3 9793 9358 F +61 3 9793 9308

reconeng@reconeng.com.au

[www.reconeng.com.au](http://www.reconeng.com.au)