

Linear motion unit

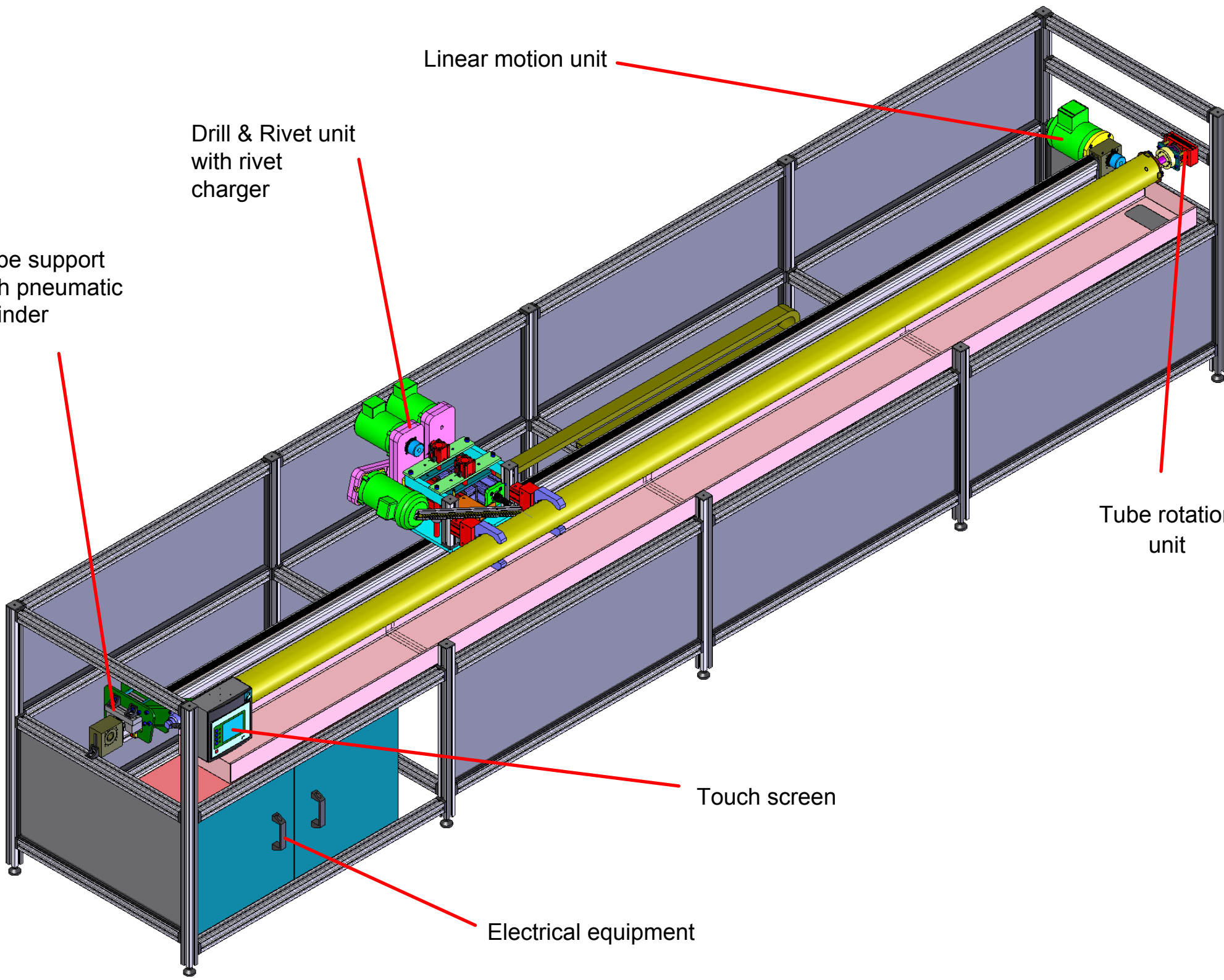
Drill & Rivet unit  
with rivet  
charger

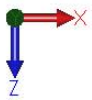
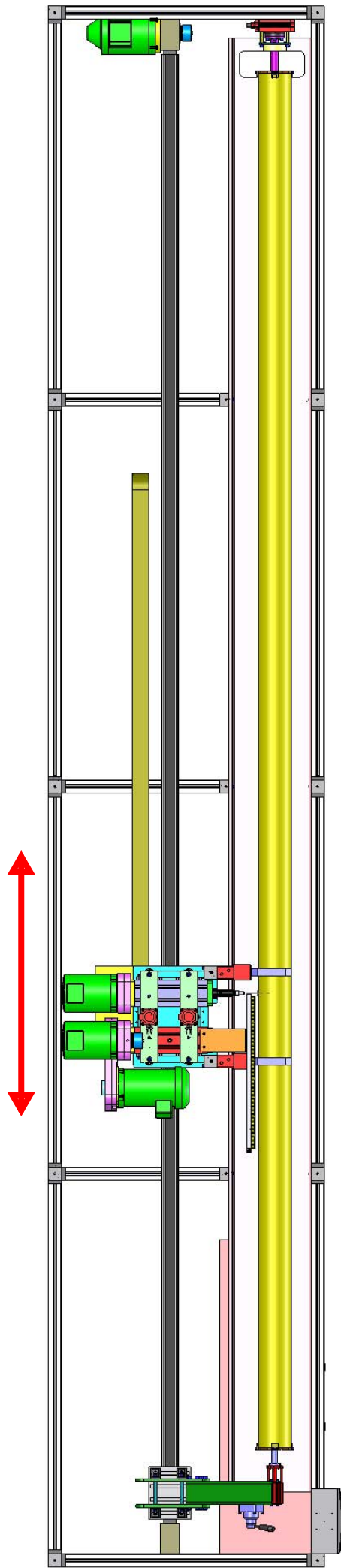
Tube support  
with pneumatic  
cylinder

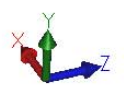
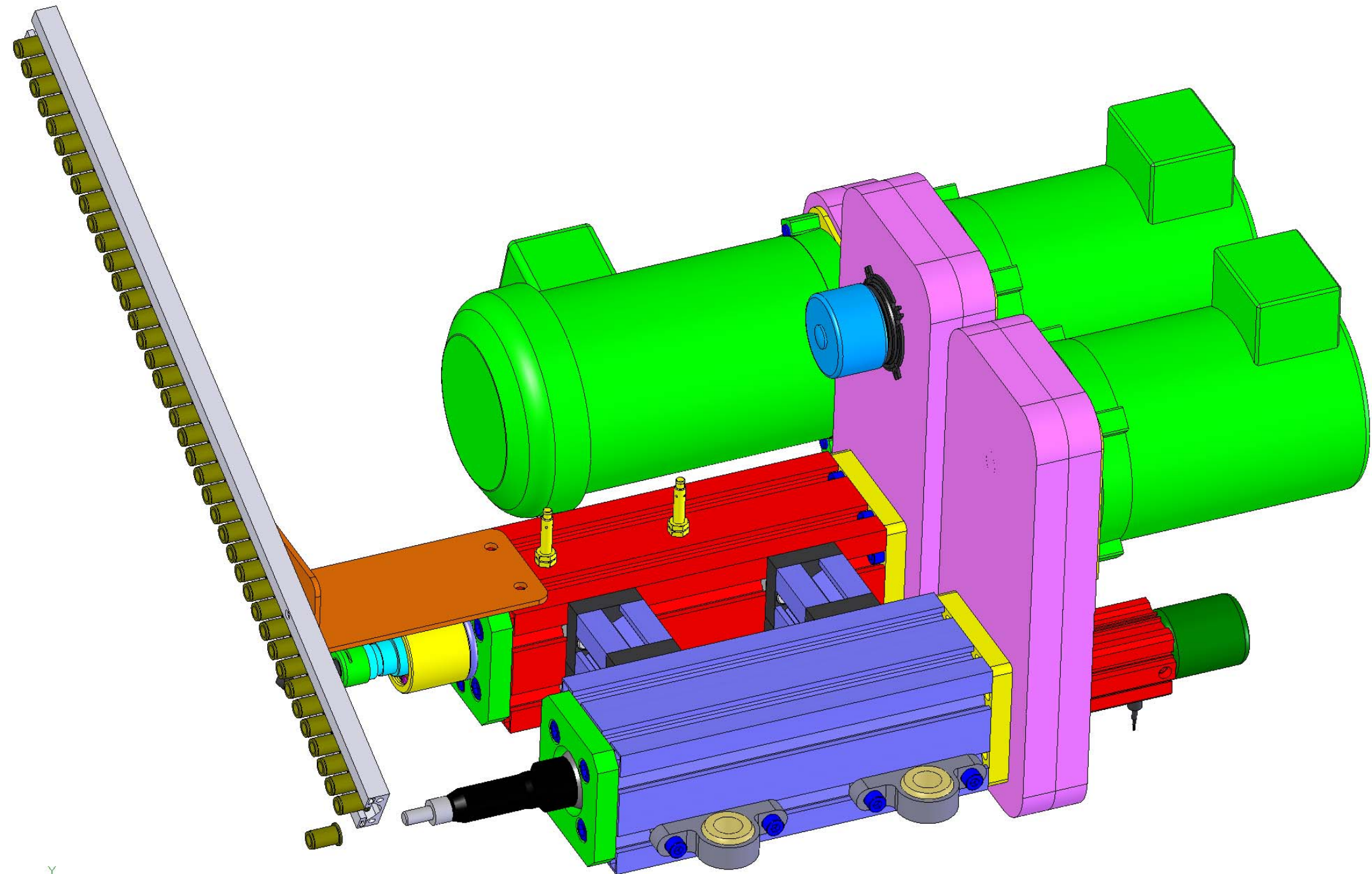
Tube rotation  
unit

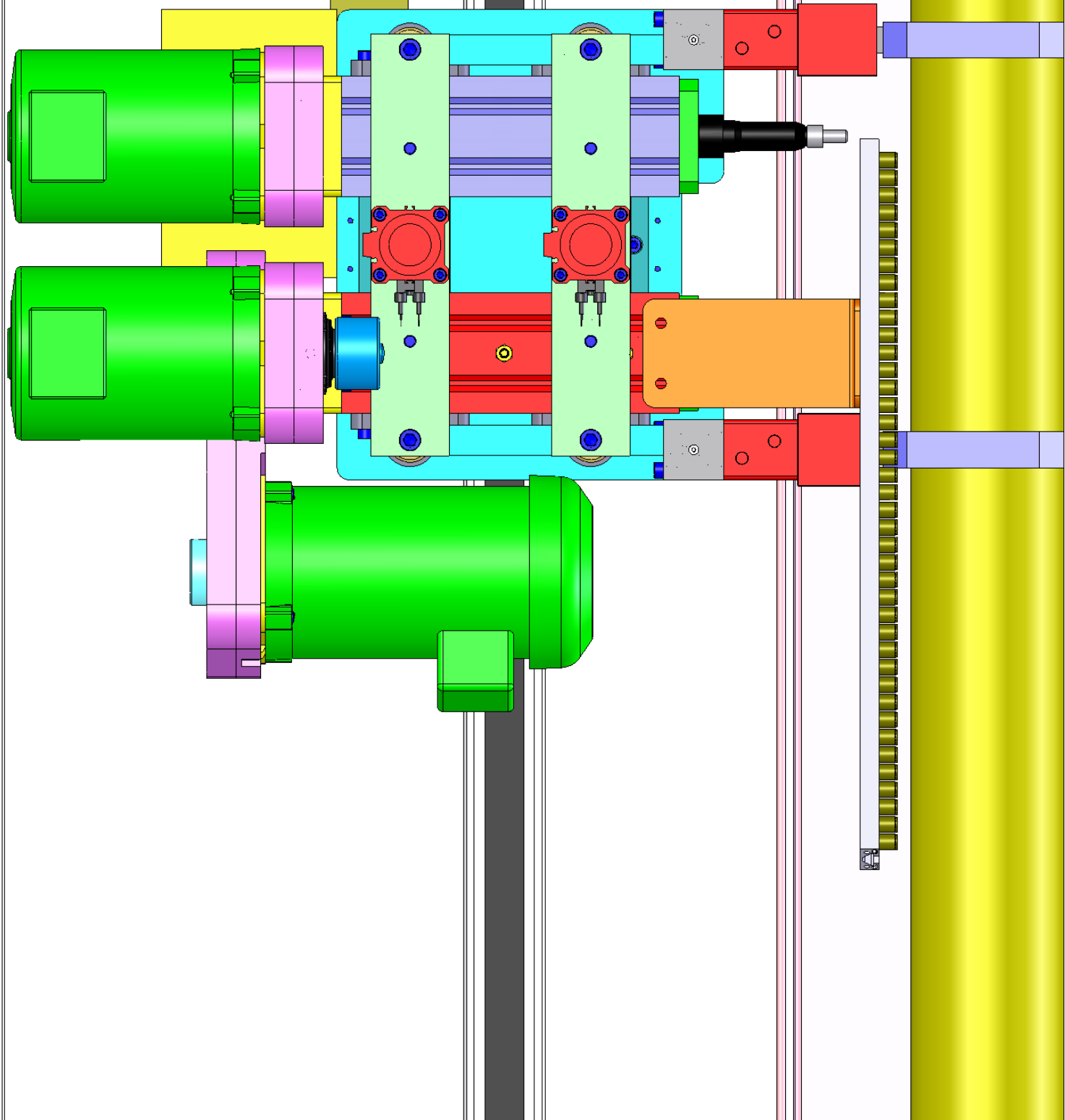
Touch screen

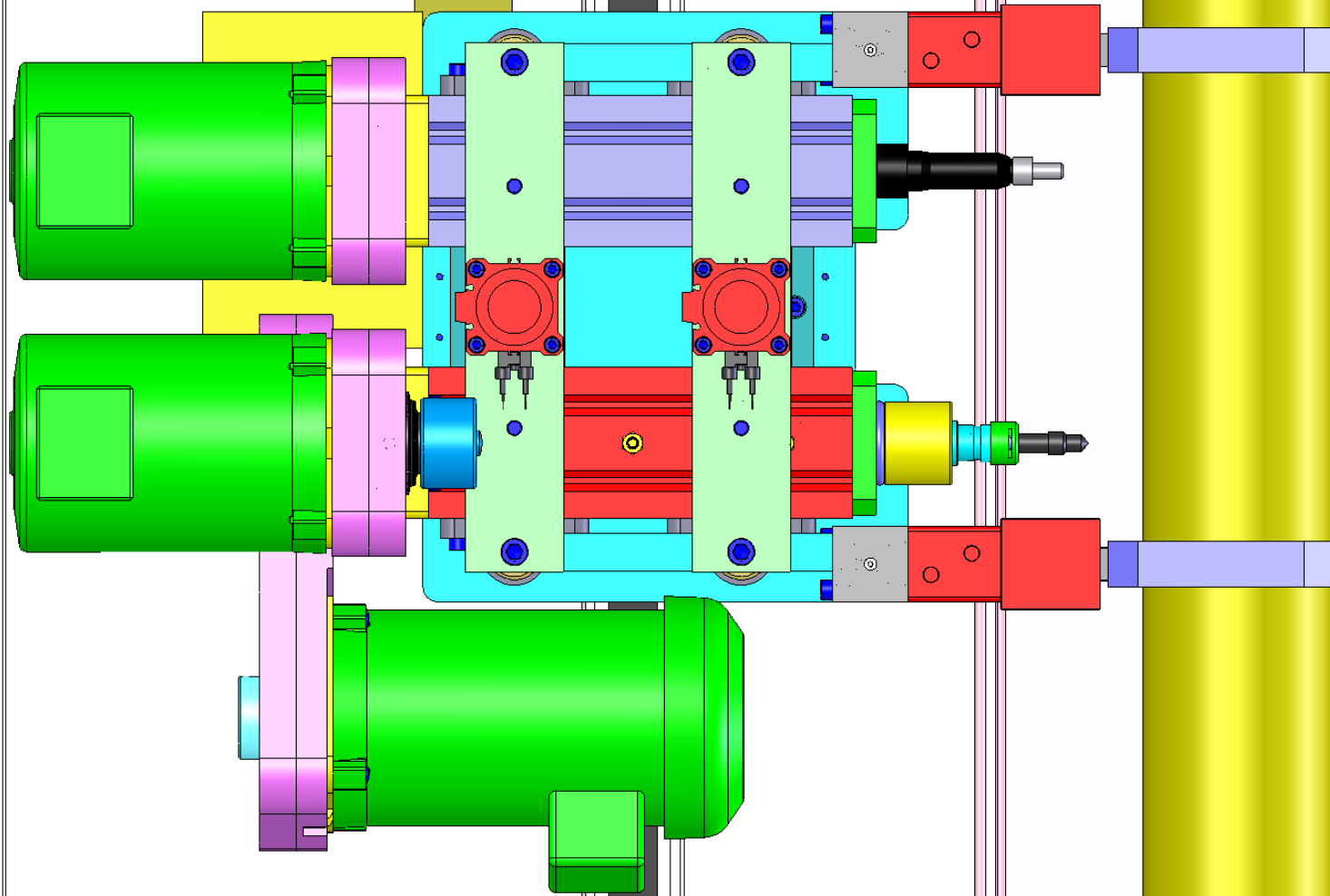
Electrical equipment





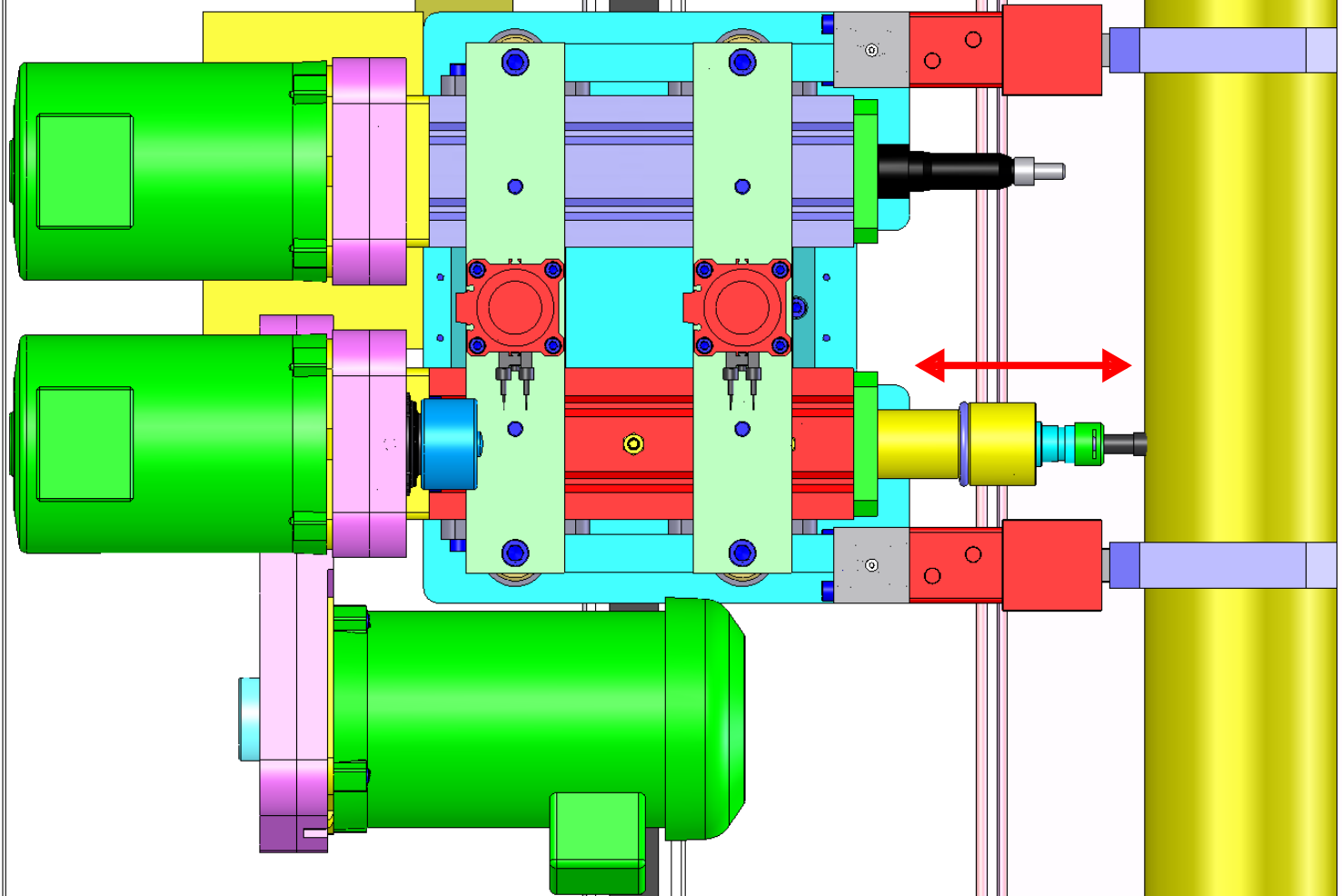




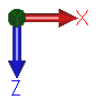


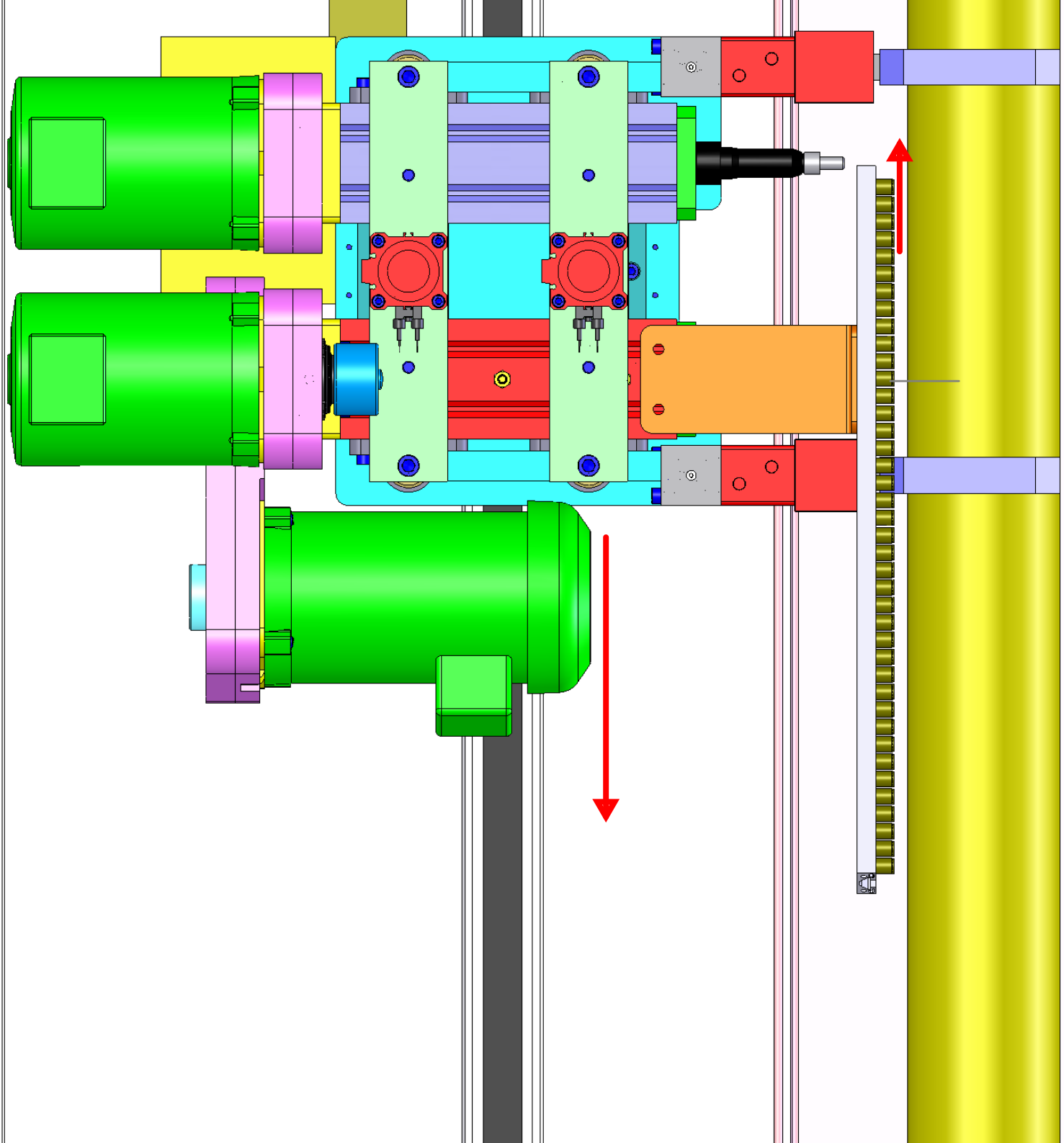
Note: Rivet charger with support   
was removed for better viewing

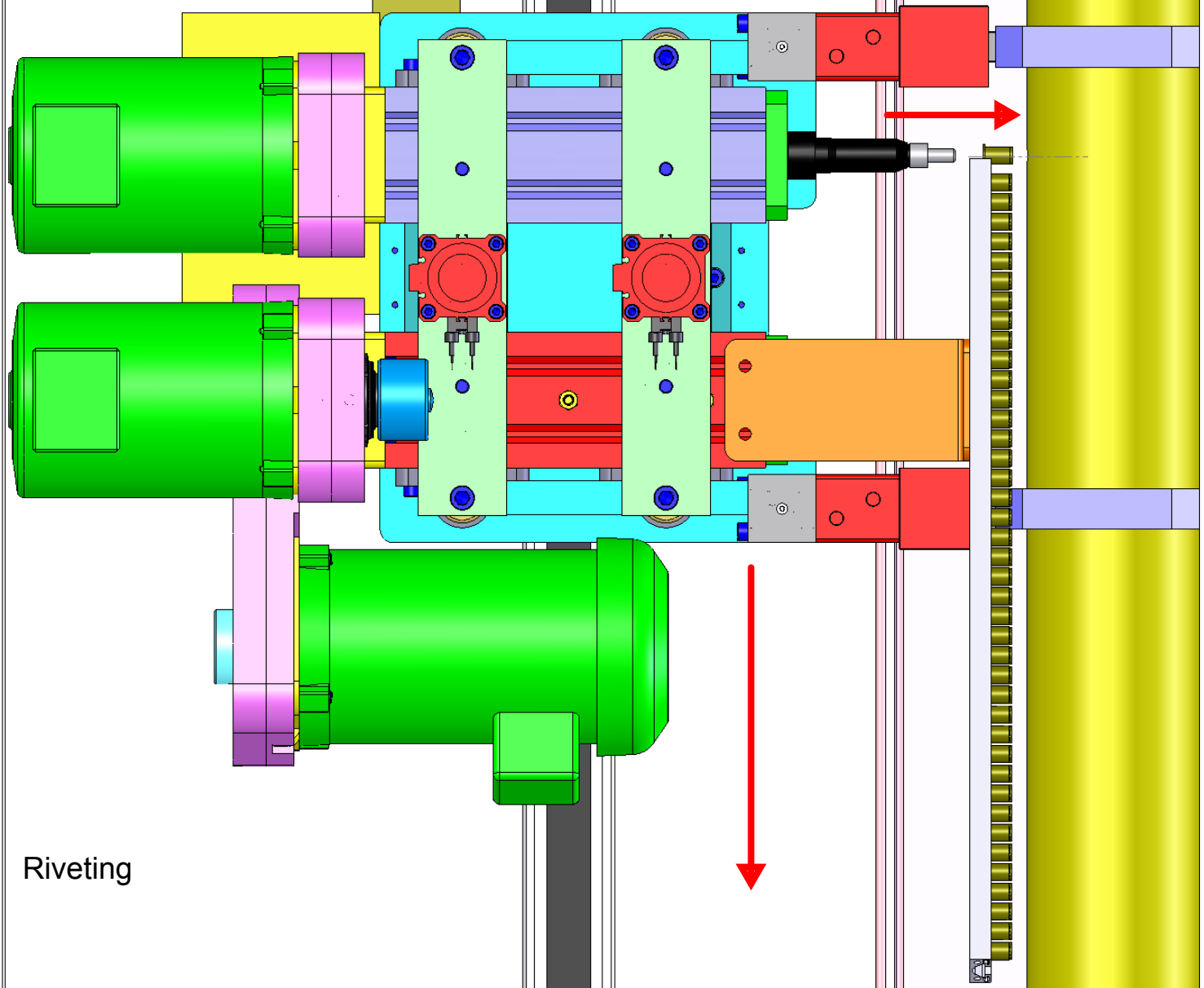




Drilling

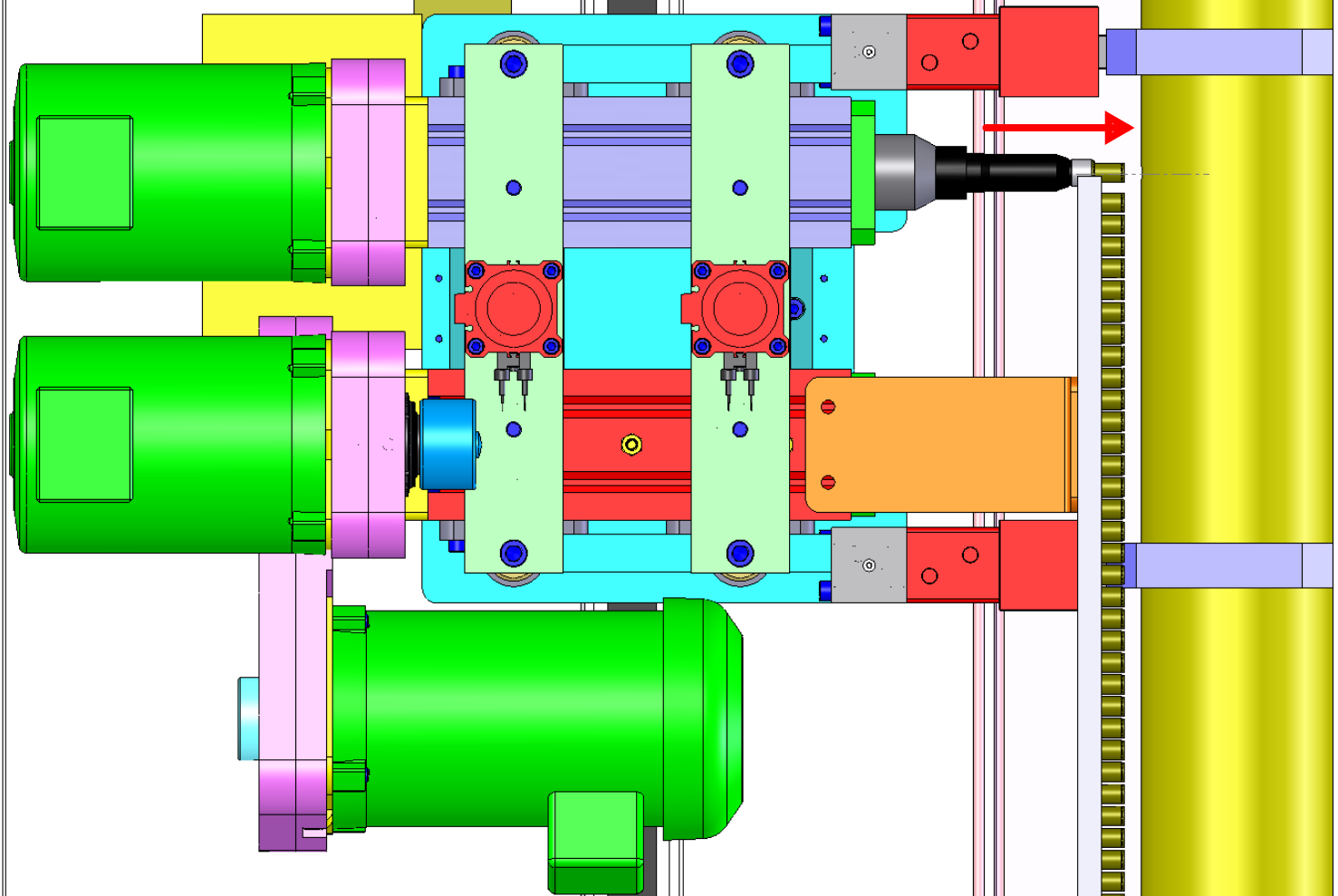






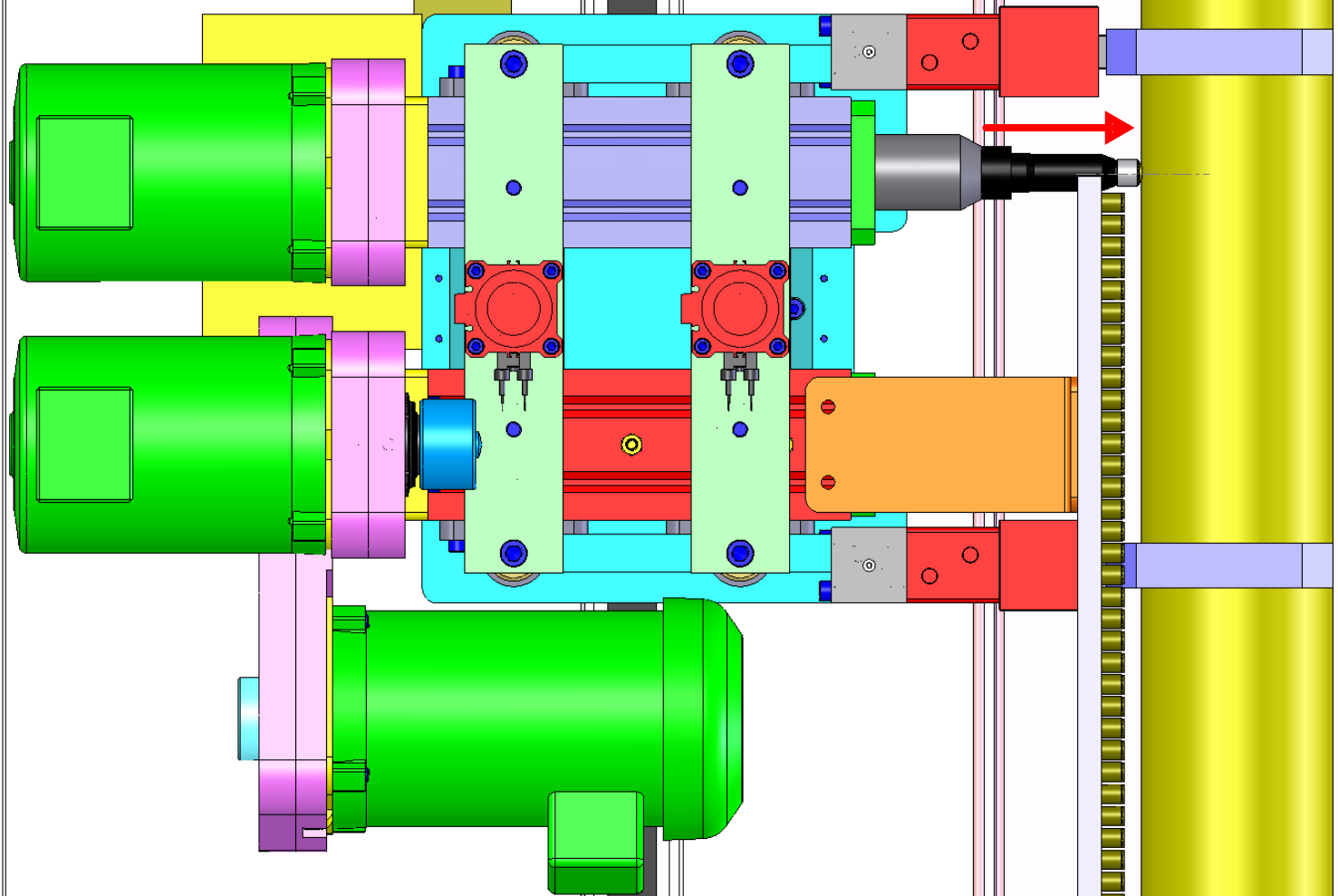
Riveting





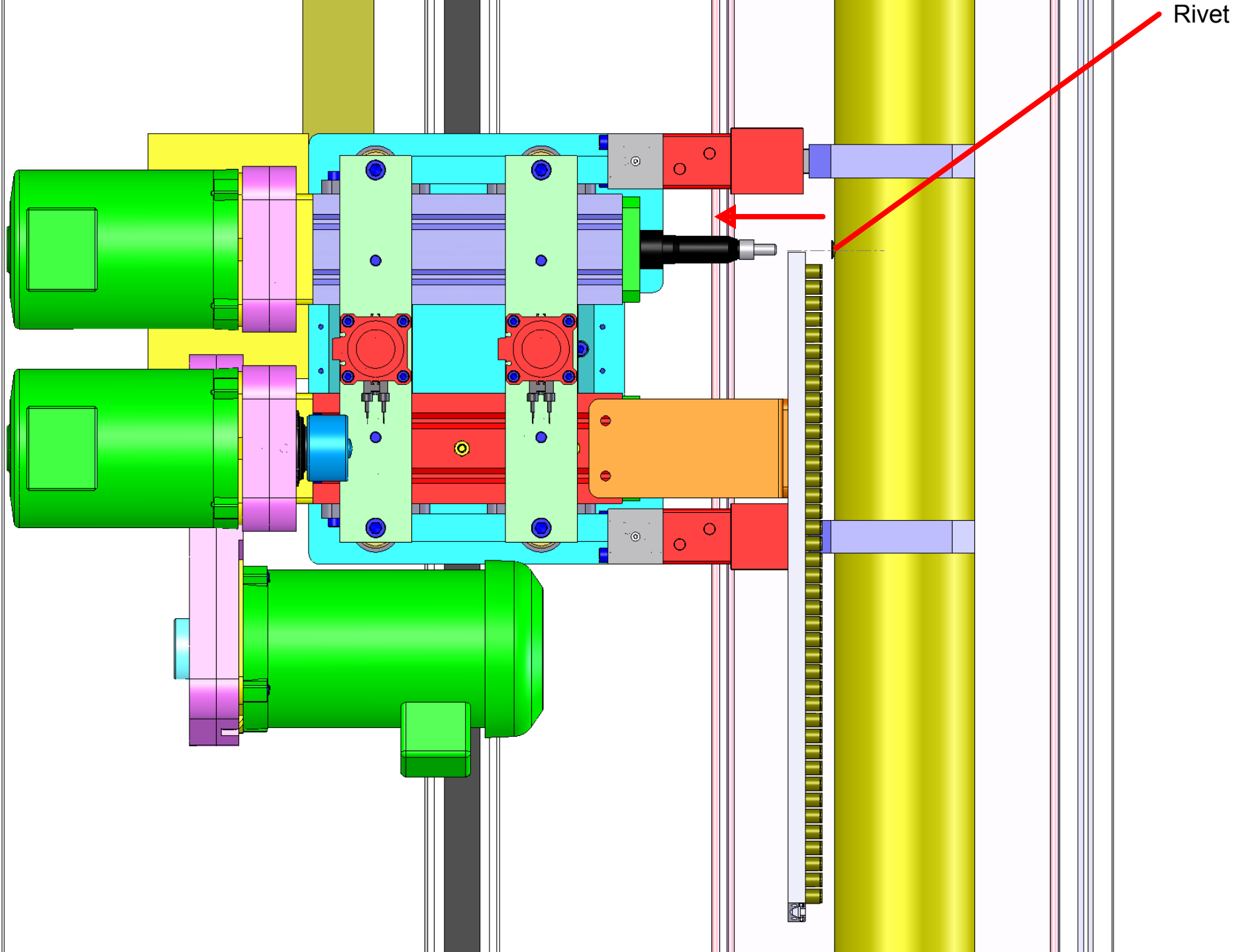
Riveting



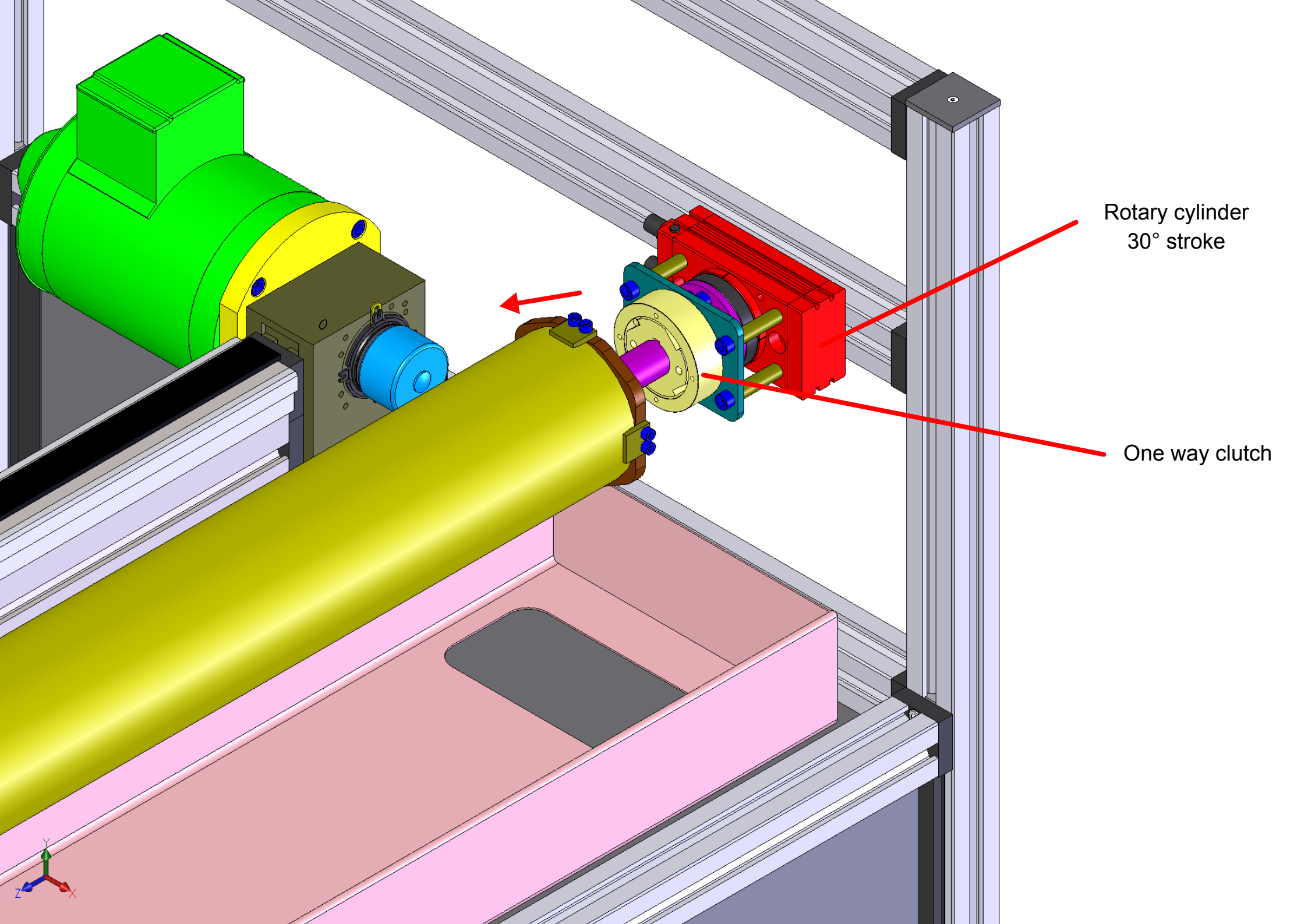


Riveting



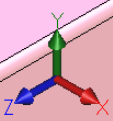


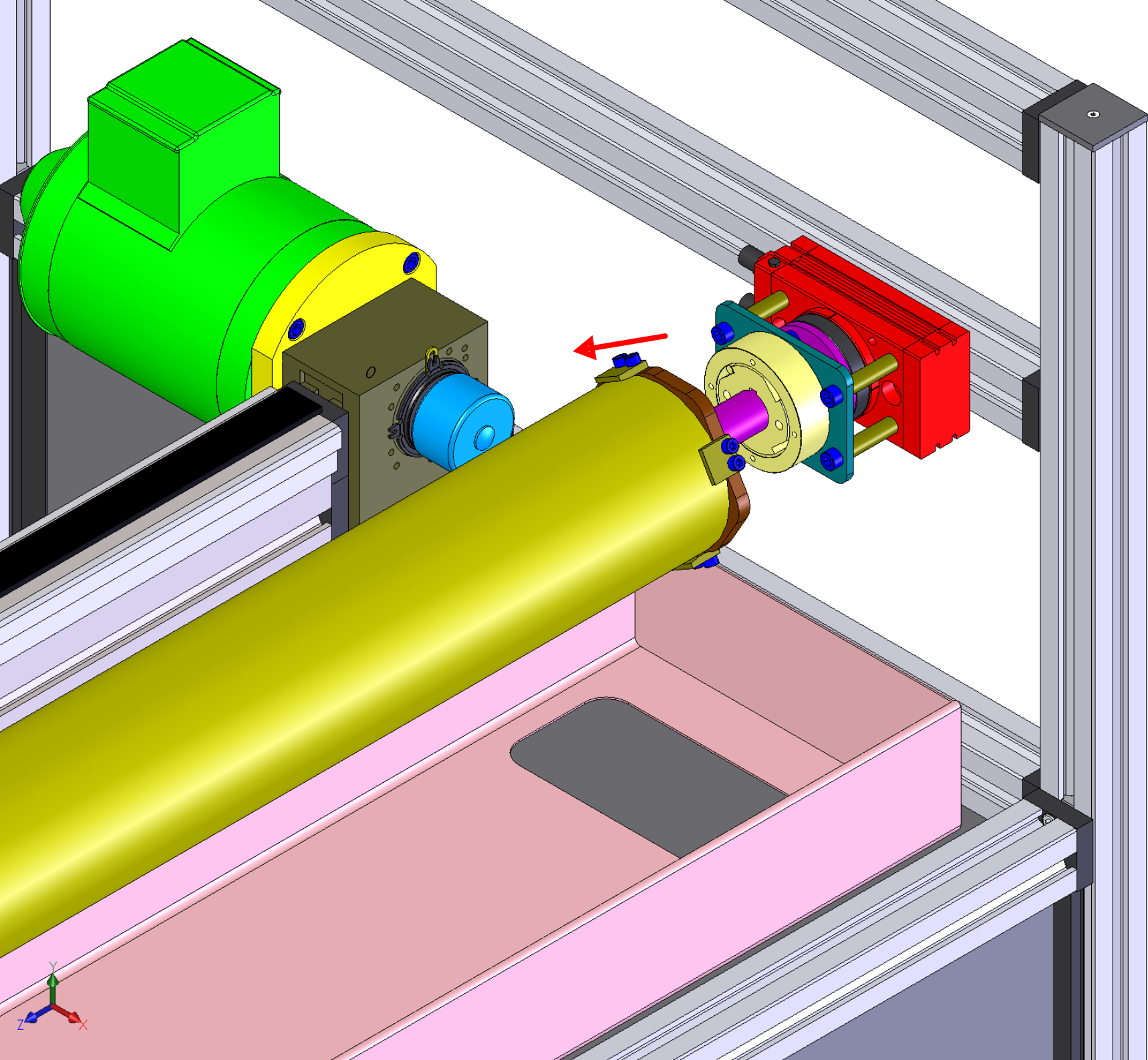
Rivet

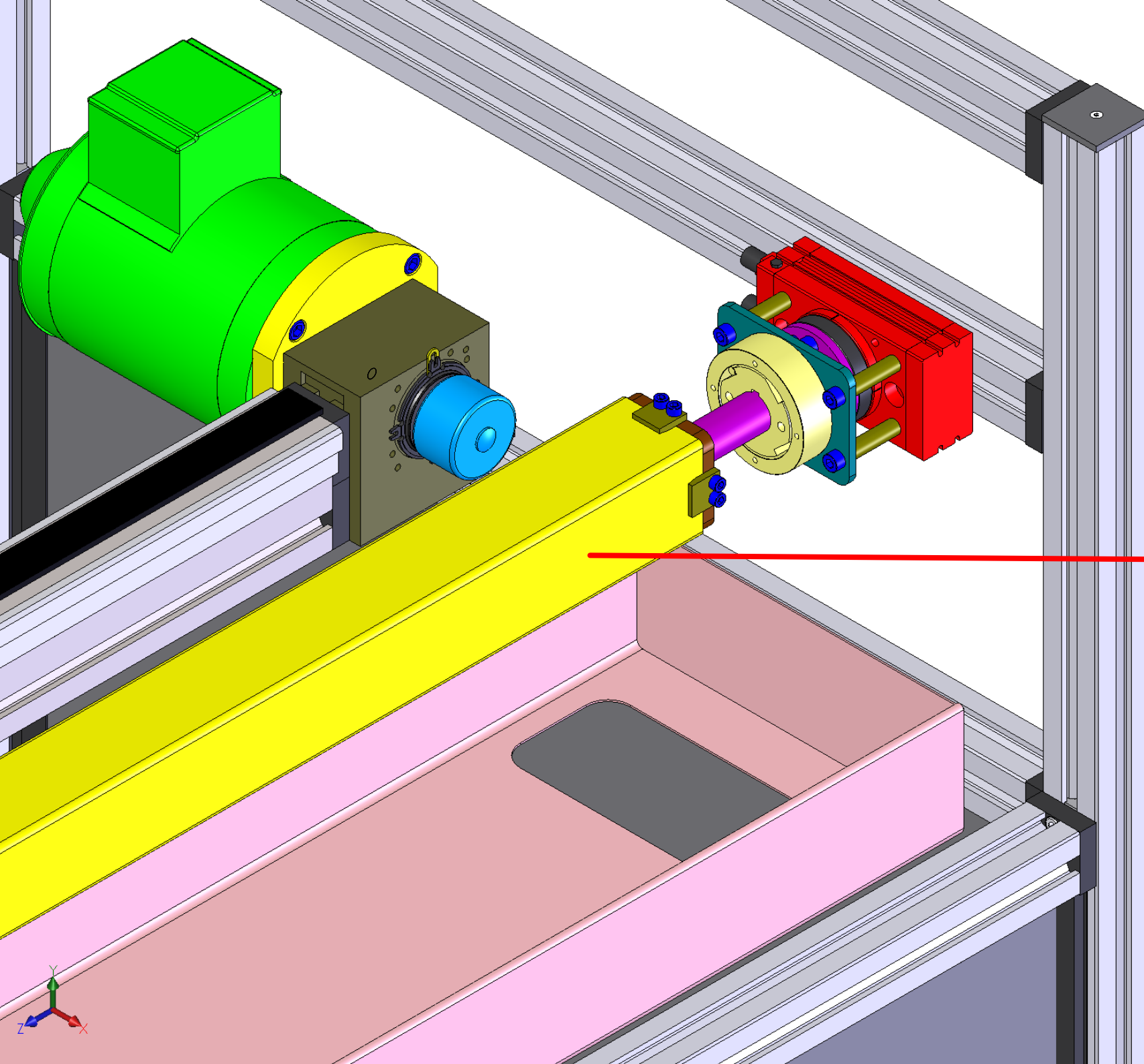


Rotary cylinder  
30° stroke

One way clutch







Rectangular □  
tube □  
- Clamping tool  
should be □  
changed

