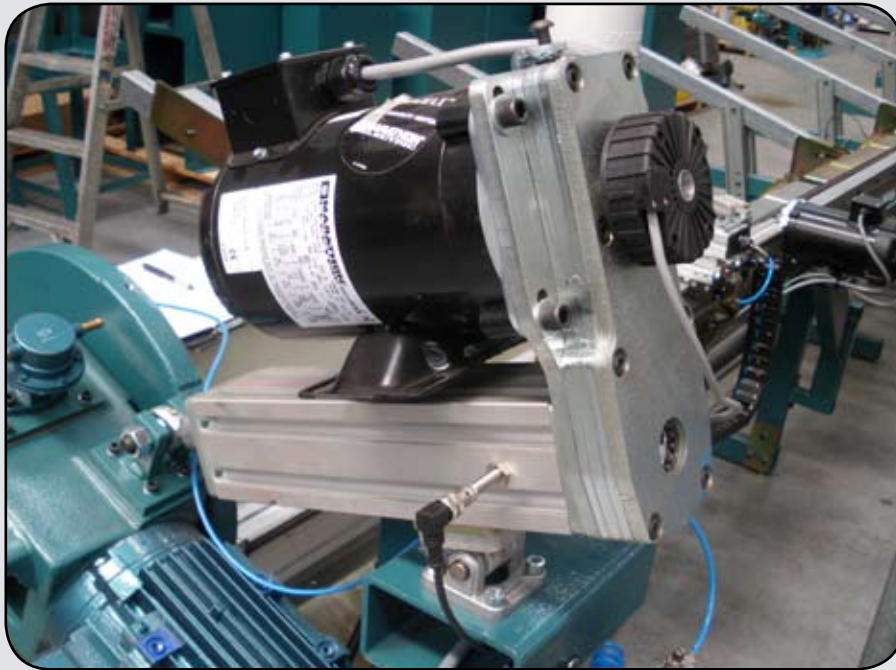


30%

Take advantage **NOW** of
the **30% TAX DEDUCTION**
on all machine purchases

A80 ELECTRIC ACTUATOR

Force-Actuation Ready for Automation



A80 - Ball-screw driven electric actuator for force-actuation applications.

Design integrated into 80×80 modular extrusion for flexible application in custom design production systems. Ready for PLC integration, with infinite positioning and speed control.

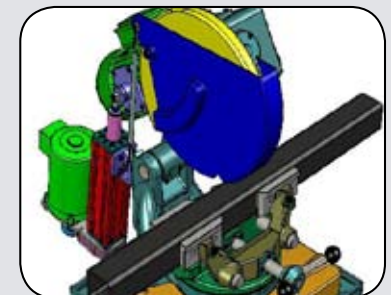
Flexible design with long and short stroke, high and low gear drive ratios and variety of thrust ratings to suit applications.

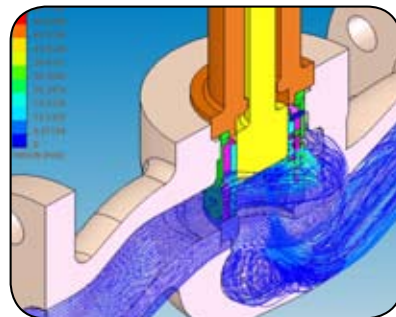
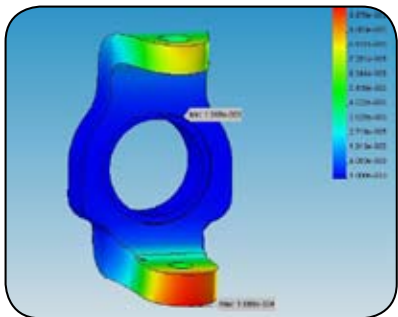
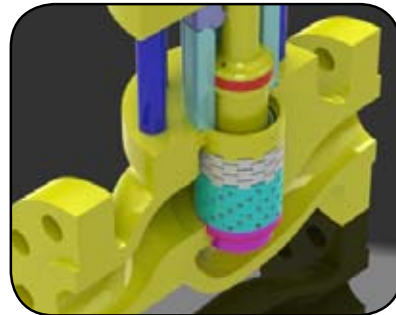
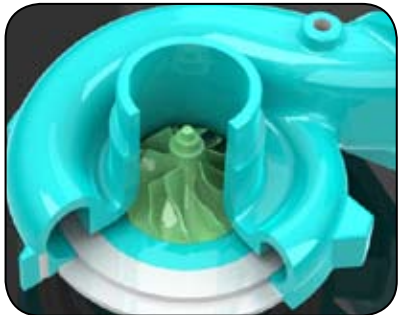
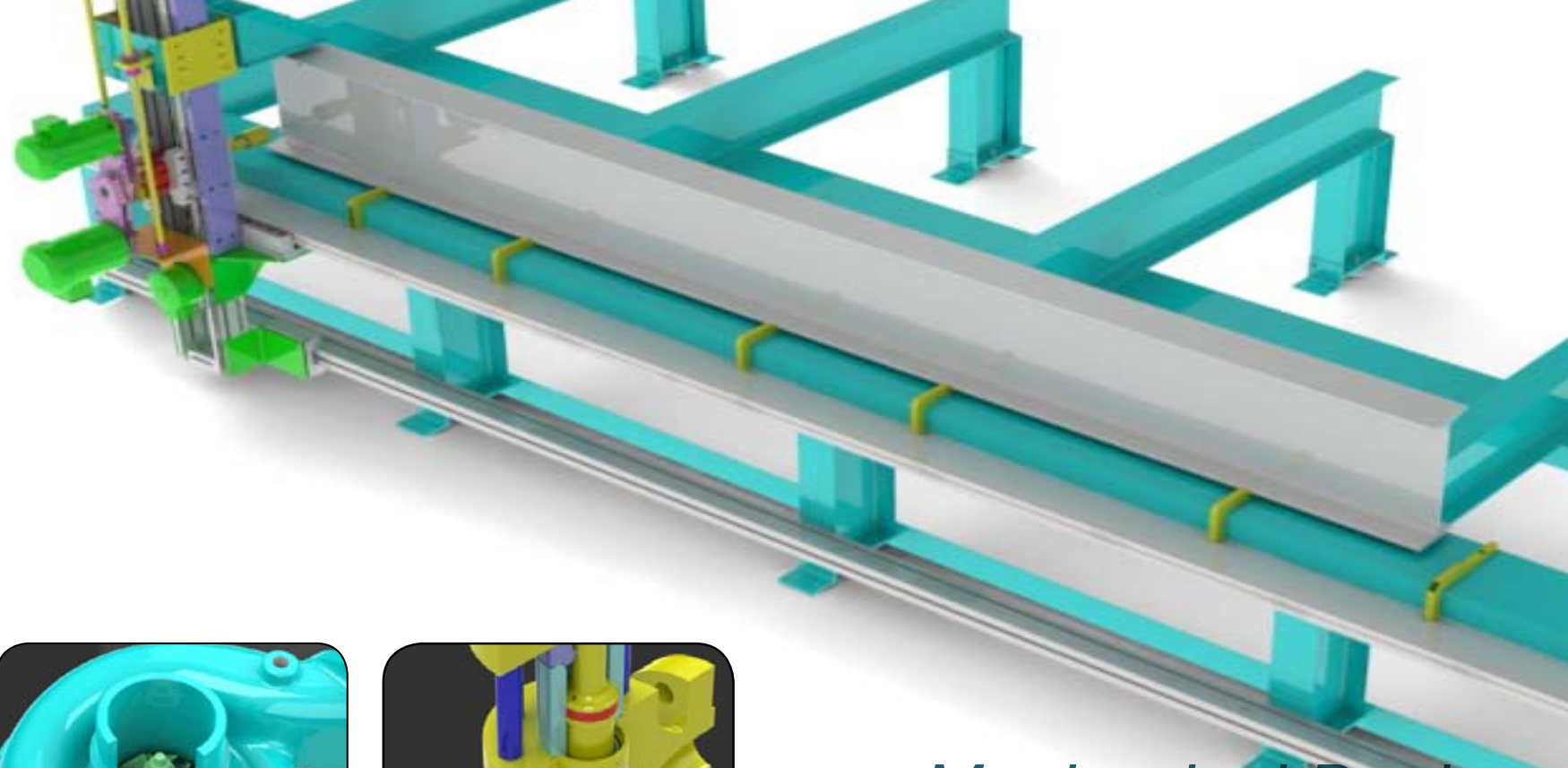
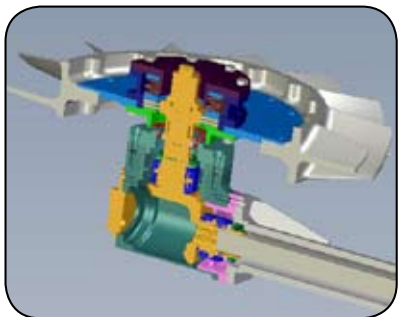
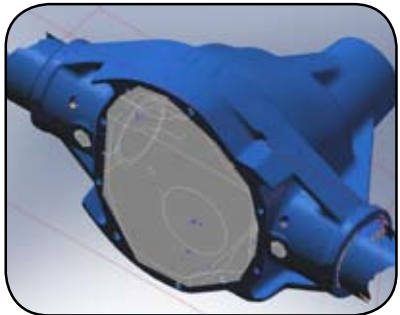
Applications in multi-task integrated machining systems or general actuation / force applications (platforms, gates, positioners, etc.).



Features

- Suitable for integration into flexible low-cost multi-operation machines
- Infinitely variable force, speed and position control
- Compact, rigid design, with powerful range of motors
- Push or pull actuation, with 25 to 1000+ mm stroke, 30+ KN actuation force
- Numerous industrial and general applications





*Mechanical Design
Development
Implementation
Innovation*



18 Jeffrey Street Dandenong VIC 3175 AUSTRALIA

T +61 3 9793 9358 F +61 3 9793 9308

reconeng@reconeng.com.au

www.reconeng.com.au